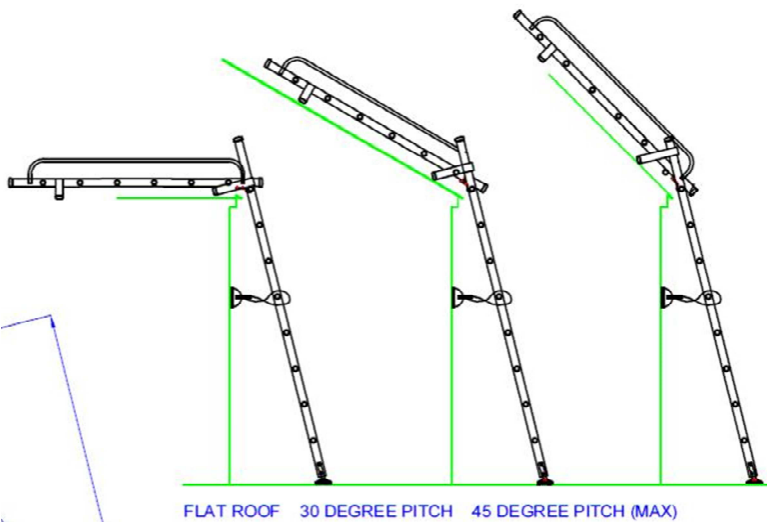
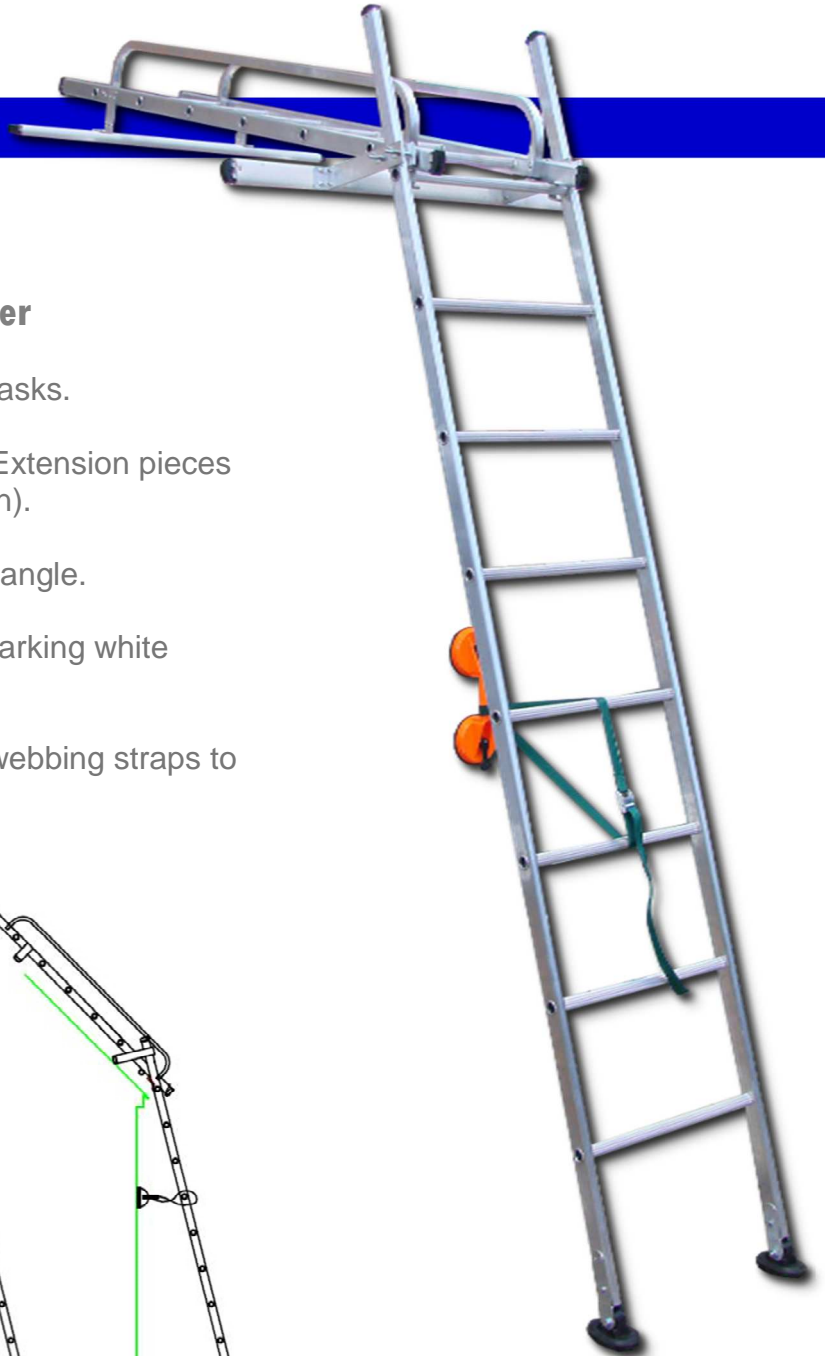


SPECIALITY PRODUCTS

CONSERVATORY LADDER
Industrial Conservatory Access Ladder

- Designed for single user maintenance tasks.
- Suitable for eaves heights up to 2.5M (Extension pieces can be supplied as a factory fitted option).
- Top outrigger easily adjusts to suit roof angle.
- 1.0M long bearer bars fitted with non-marking white PVC sleeves.
- Supplied with glazing suction pad and webbing straps to secure base ladder section.
- 150KG Maximum Permissible Load



INDUSTRIAL

• QUALITY

• ALUMINIUM

• ACCESS

• SOLUTIONS



TEL 01633 281800
FAX 01633 290976
EMAIL sales@chaseladders.co.uk
WEB www.chaseladders.co.uk

Unit 21 Estuary Road
Queensway Meadows Ind Est
Newport
NP19 4SP